

SONY

Car Stereo Service Bulletin

Sony Service Company - Technical Services
A Division of Sony Corporation of America
Sony Drive, Park Ridge, New Jersey 07656

Model: XR-7280/7190

No. 205

Subject: High Wow and Flutter

Date: July 26, 1991

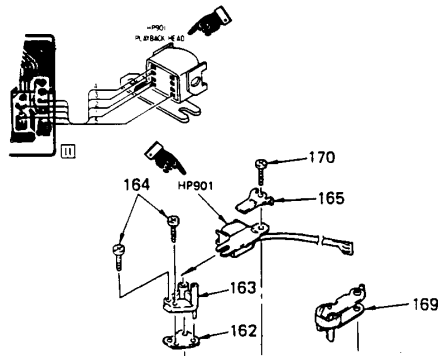
Symptom:
(57)

When using old or poor quality tapes, wow and flutter may be high. The friction coefficient between head and tape is too high. This causes the tape to stick to the head resulting in high wow and flutter.

Solution:

Replace the head with the improved type listed below. The improved head has a grooved surface which reduces friction:

FORMER		NEW TYPE	
Description	Part No.	Description	Part No.
Sankyou Permalloy Head	1-543-506-11	Cannon Permalloy Head	1-543-726-11



Reference: CS-01091

PRINTED IN U.S.A.
CSA-14791-1

CSA-14 Tuner / Tape Deck